

Face Shield Mask – Product Data Sheet

General:

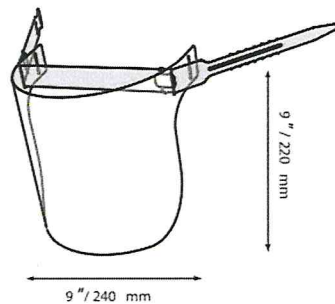
Palram 4U manufactures transparent protective masks – Face Shield.

The mask covers the face from the forehead line to below the chin line.

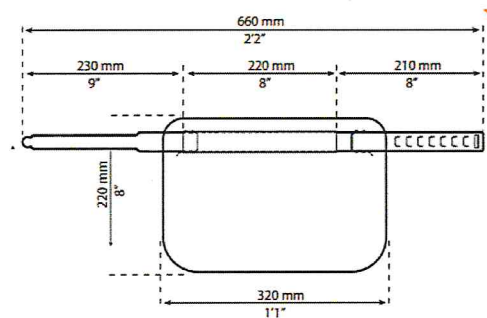
The **FACE SHIELD** use is to avoid droplets and splashes on the user's face.

Face Shield drawing:

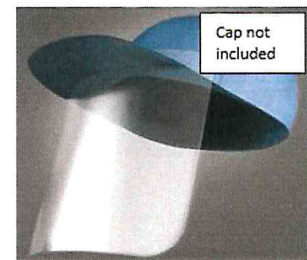
SHIELDING MASK P1



SHIELDING MASK P2 / G1



CAP FACE SHIELD



Face Shield description:

- The Face Shield mask is personal protective equipment.
- Full face protection coverage. Under chin and ear to ear.
- High clarity - Up to 90% light transparency.
- Light weight.
- Adjustable plastic headband, by zip-tie mechanism.
- One size fit all.
- Reusable shield and easy to clean (by soap and water and wipe with a soft cloth).

Face Shield structure:

- Mask body - Transparent and flexible plastic.
- Headband - made of flexible plastic material + spongy / rubber padding to forehead.

Face Shield materials:

- Mask body - made of PET – MSDS will be provided upon request.
- Headband – made of PP – MSDS will be provided upon request.
- Spongy padding – made of foam PA30V – MSDS will be provided upon request.
- Rubber padding - made of PVC – MSDS will be provided upon request.

Raw material toxicity:

The raw materials from which the mask is made, are non-toxic, do not cause irritation, and are suitable for the food industry.

Standards:

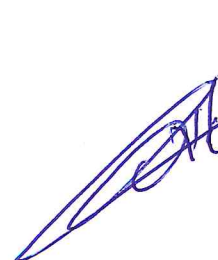
The Face Shield is in conformity with - Personal Protective Equipment EU 2016 / 425.

References to the relevant standards – EN 166 – 2001, EN 168 – 2002.

Additional information:

- Face shield is designed to provide protection against droplets and splashes.
- The no.3 of the marking on the frame, stands for – liquids; meaning that the face shield is designed to provide protection against droplets and splashes. There is no marking for energy impact, since the face shield passed the minimum robustness according to EN168
- All the materials of the head band are made from materials that are approved to be used in contact with the skin. Yet, it is possible that the parts that meet the wearer's skin could cause allergic reactions to susceptible individuals.
- Scratched or damaged face shield should be replaced.
- The face shield can be cleaned by hot water (50°c) and soap and wipe with a soft cloth.
- Store the face shield in a clean protected place.
- Wearing face shield over standard ophthalmic spectacles may transit impact of high-speed particles, thus creating a hazard to the wearer.
- Test reports will be provided upon request.

Yair Avigdor
Quality Manager
Palram 4U

A handwritten signature in blue ink, likely belonging to Yair Avigdor, the Quality Manager.